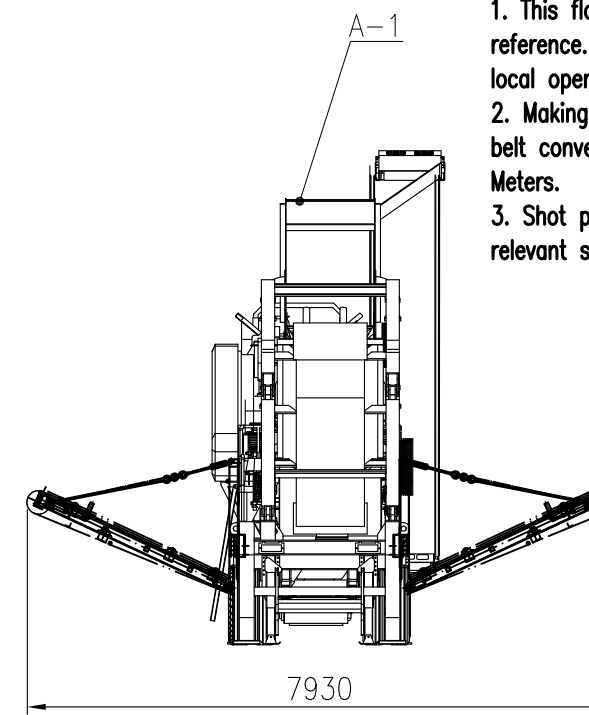
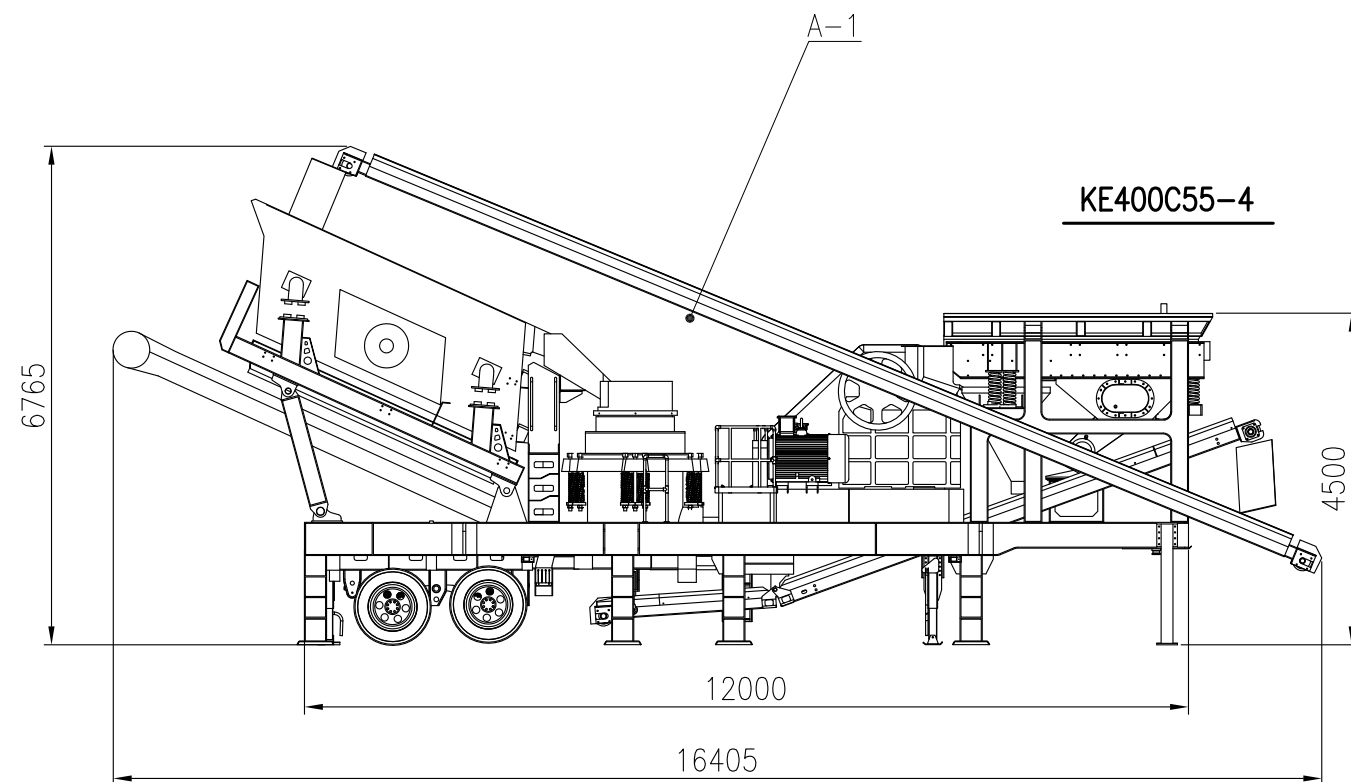
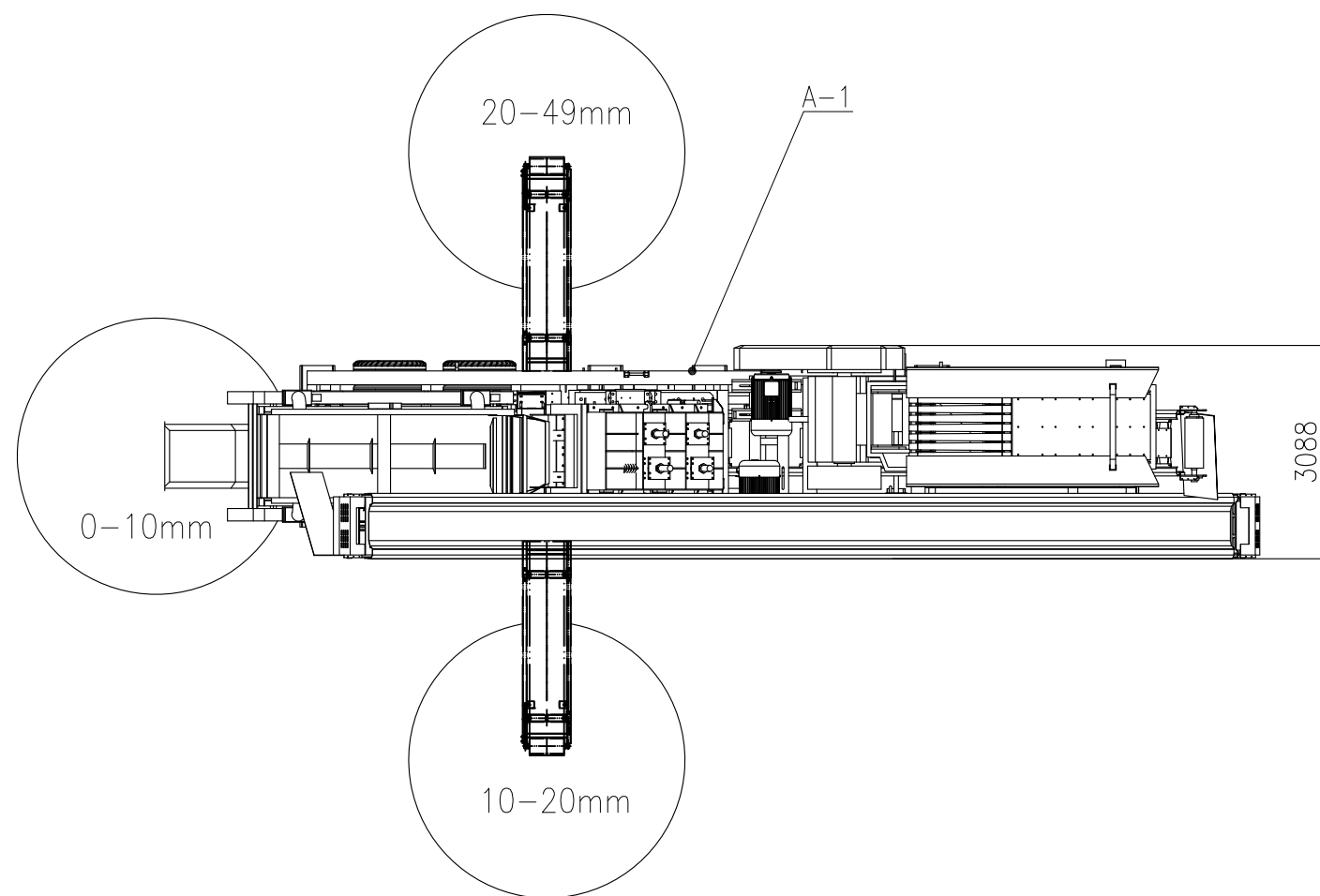


Characteristic of material: Granite  
 Input size:0-350mm  
 Output size:0-10-20-49mm  
 Capacity(t/h):30-50  
 Purpose:



**Technical Description:**

1. This flow chart is based on the customer's requirement. It is for reference. Actual output can change with the features of raw material, local operation and management conditions.
2. Making corresponding adjustment in actual construction. As for the belt conveyor, please refer to the layout for actual model. Length in Meters.
3. Shot point itself and the distance should be in accordance with the relevant specification.



**Descriptions of Main Equipments**

No.	Name	Model	Qty	Power (kW)	Remark
A-1	Mobile Plant	KE400C55-4	1		

The intellectual property rights of this document belongs to Shanghai Zenith Mining and Construction Machinery Co., Ltd.  
 Providing to any third party without Zenith permission is not allowed.

	30-50t/h Crushing Plant	Flow Chart	Design		Stage	Scale	Edition
			Audit		Primary		A
	Standard Audit		Page 1	Page1/1			
	Approve						
			Date				